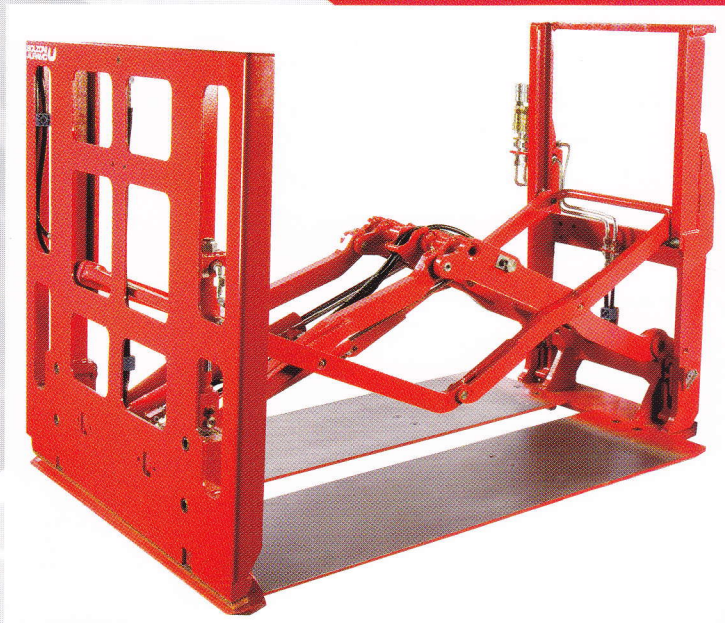


**Push Pulls**

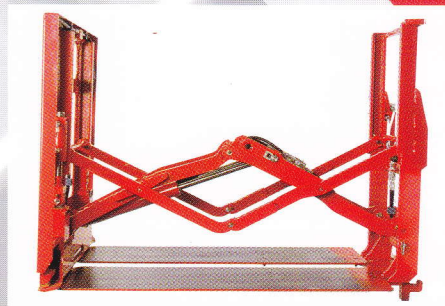
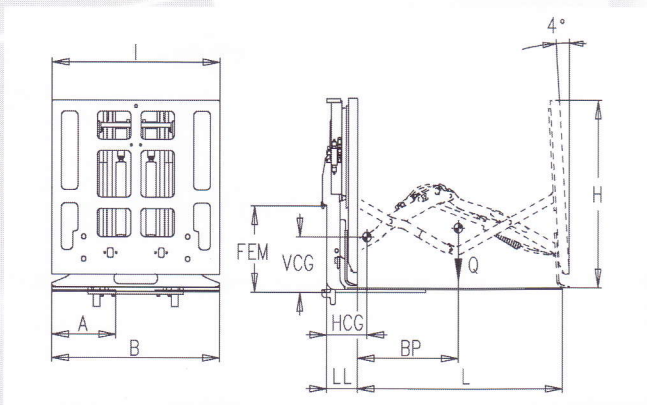
**BOLZONI**  
**AURAMO** 

# Easy Rider Fork-Mounted Push Pull

Ideal model for those companies where the handling of goods on slip sheets is not sufficient to justify the use of a dedicated fork lift truck.



- Thanks to an extremely quick and effective new fitting system, the Fork-Mounted Push Pull model Easy Rider offers the possibility to convert a conventional fork lift truck with forks into a specially equipped machine to handle loads on slip sheets. Increasing productivity without any compromise for safety.
- The driver just has to position the forks under the platens, tilt the mast forward, lift the carriage up, engage the upper hooks, lock the lower mounting hooks in place and connect the hydraulic couplers. These simple steps now make the Easy Rider ready for operation.
- Bolt-on platens can be adjusted to accommodate different overall widths.
- Quick disconnect lower hooks.
- ITA Class II mounting.



Model	Capacity	Load Centre	Platen Size	Platen Out-to-Out	Push Plate	Thickness	Minimum Carriage Width	Centre of Gravity Horizontal	Centre of Gravity Vertical	Weight	Mounting Class
	Q kg	BP mm	AxL mm	B mm	lxH mm	LL mm	FL mm	HGC mm	VCG mm	W kg	ISO 2328
TZ16A6X	1600	600	380 x 1220	860	1000 x 1010	195	855	240	295	350	2
TZ16B6X	1600	600	380 x 1220	994	1000 x 1010	195	855	240	295	350	2
TZ20A6X	2000	600	380 x 1220	860	1000 x 1010	195	855	245	300	360	2
TZ20B6X	2000	600	380 x 1220	994	1000 x 1010	195	855	245	300	360	2

## OPTIONS

- Various platen sizes.
- Extended push plate widths and heights.
- Quick disconnect hydraulic couplers.

